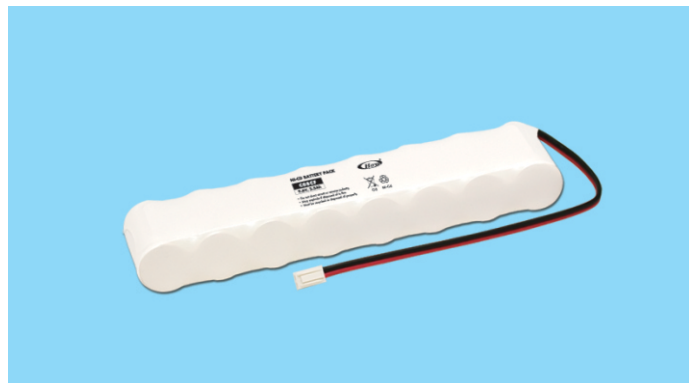


### Features

- Micro-processor controlled self-contained emergency lighting units for LED lamps with built-in drivers
- Compatible with most similar T8 LED lamps
- Built-in micro-controller for smart operations
- Maintained and non-maintained modes
- Lamp output short-circuit, over-current and open-circuit protections
- Deep-discharge shutdown for battery protection
- High efficient switching mode charger with short-circuit and over-current protections
- Dual rate charging, pulse charging when battery full
- Isolated low voltage test switch
- Bi-colour LED indicators
- High temperature NiCd rechargeable battery, NiMH as option
- Compiled with BS 5266-1:2016, EN 1838: 2013, EN 61347-2-13, EN 60598-2-22, FSD PPA-104 & PPA 104A 5<sup>th</sup> revision



### LED Indications

- Mains supply status
- Battery charging
- Battery discharging
- Battery fault

## 2

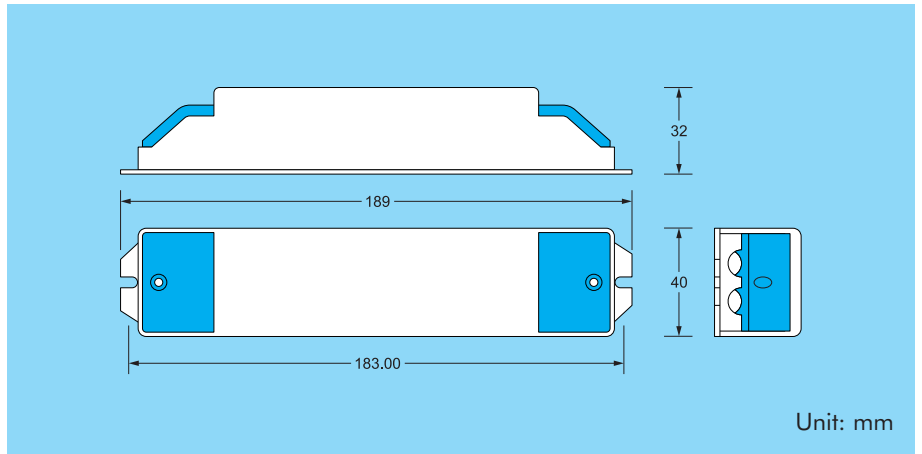
### Specifications

Rated supply voltage	220 VAC ±10%
Supply frequency	50-60 Hz
Changeover time	<0.5 Sec
Recharge time	<12 hrs
Operating frequency	>40 Khz
Standby power	<1W
Ambient temperature (ta)	0 ... +50°C
Max. case temperature (tc)	70°C
Weight	140g (excluding battery)
Dimensions	189 (L) x 40 (W) x 32 (H)

### Ordering and Specification Information

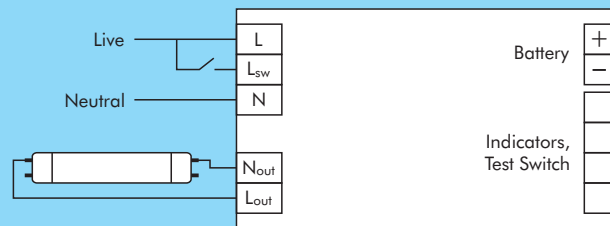
Model	Lamp Type	Battery			Input Power (W)	EBLF (%)	Illumination Time (hrs)
		Model	Voltage	Capacity			
HEI-0820	LED Lamp	H08S20F	9.6V	2.0Ah	5.0	25	2
HEI-0830	LED Lamp	H08C30F	9.6V	3.0Ah	7.0	25	3

**Dimensions**



**Wiring Diagrams**

► **Maintained mode**



► **Non-maintained mode**

